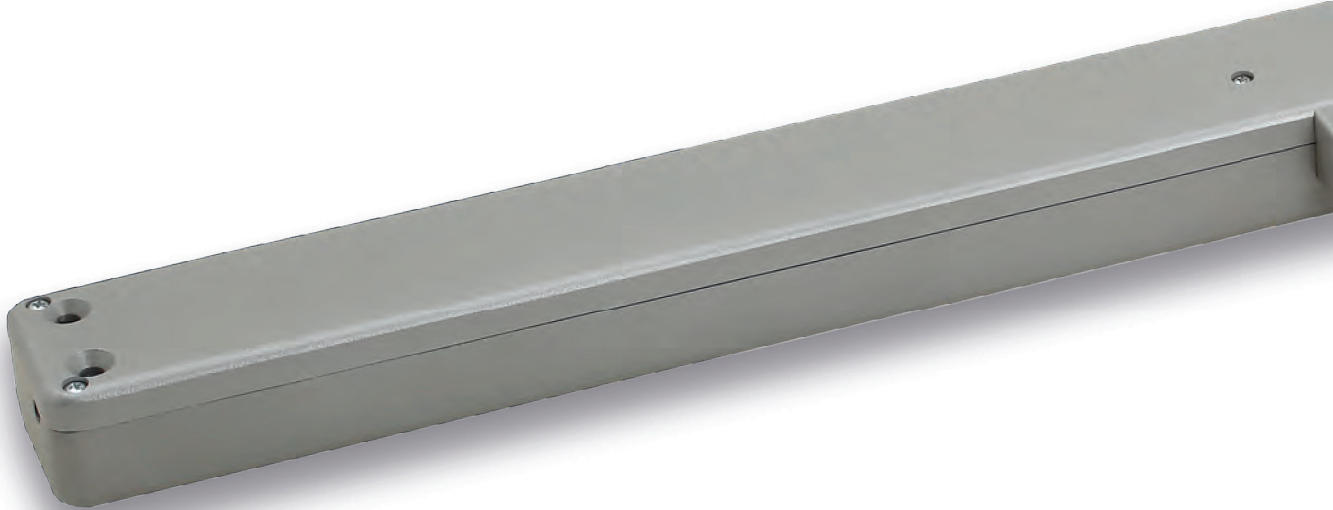


QUASAR



Chain actuator - Force in push action 300 N - Maximum stroke 500 mm



MAIN FEATURES

- High performance in small die-cast aluminum casing (47 x 32 mm), powder painted.
- Chain in double stainless steel links.
- Chain exit in central position.
- Quick and easy installation: the manual closing position regulation is not required. The stop in closing position is regulated by an electronic limit switch control.
- Electronic stop in the intermediate positions in case of overload.
- **SYNCHRO** versions are equipped with an integrated speed synchronization control board for the installation of more than one actuator on the same vent, avoiding any external control panel.
 - AC version:** 1 Synchro Quasar AC + 1 Synchro Quasar DC (max 2 couples), **DC version:** max 4 Synchro Quasar DC.
- **F-SIGNAL** versions provide opening and closing feedback signal (free potential, maintained contact), activated by the current limit.
- Suitable for combined installation with the additional locking device **E-LOCK** or **PLUSULTRA** (see related data sheet).
- **DRAWBRIDGE** version is suitable for installation on bottom hinged windows, opening outwards 90°, for Smoke Ventilation.

OTHER VERSIONS UPON REQUEST:

- **QUASAR DC** version with **IP42** protection class, for a higher resistance against atmospheric agents.
-   Versions for USA and Canada.

INSTALLATION REMARKS

- The installation without brackets is possible for windows with pivoting hinges only if the vent height is at least 1500 mm.
- In case of vents with four-bar hinges, please contact our Technical Dept.
- If installed on PVC windows, the profile has to be reinforced.
- In case of Building Management System control, avoid repetitive commands in the same direction.

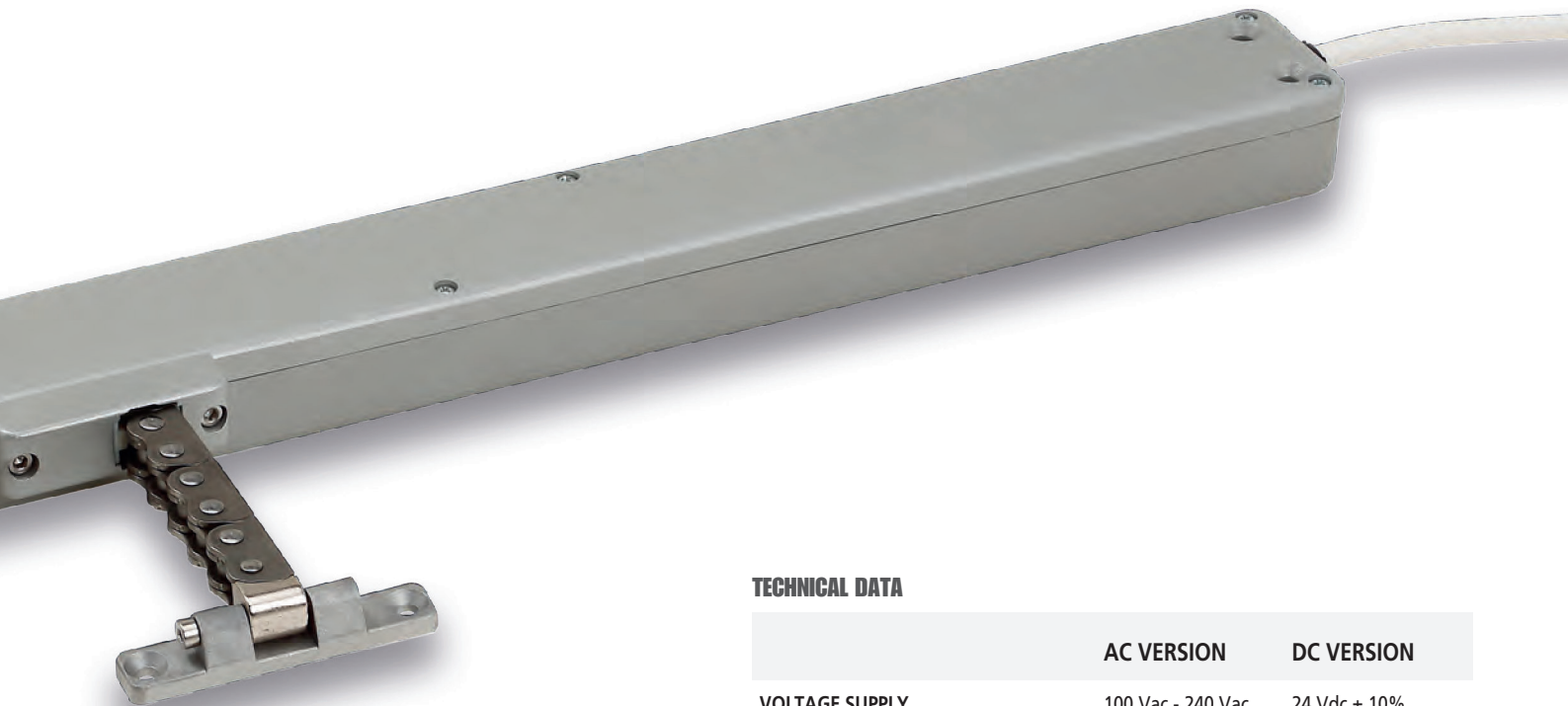
For further information contact our Tech. Dept.



24 Vdc version is suitable for installation on **Smoke and Heat Exhaust Ventilators (SHEV)** in conformity to European Standard **EN 12101-2**, tested by Istituto Giordano.



The Quasar BMSLine version is fully programmable (stroke, speed, force, ...); different scenarios are selectable with a connection to a computer through dedicated software. See BMSLine section.



TECHNICAL DATA

| | AC VERSION | DC VERSION |
|-------------------------------|-------------------|--------------------|
| VOLTAGE SUPPLY | 100 Vac - 240 Vac | 24 Vdc \pm 10% |
| CURRENT ABSORPTION (max load) | 0,4 A - 0,2 A | 0,9 A |
| OPERATION | - | polarity inversion |
| MAX FORCE | 300 N | 300 N |
| SPEED | ~15 mm/s | ~15 mm/s |
| LOCKING FORCE | 3000 N* | 3000 N* |
| DUTY CYCLE | 50% | 50% |
| PARALLEL CONNECTION | Yes | Yes |
| LIMIT STOP | Electronic | Electronic |
| SAFETY STOP | Electronic | Electronic |
| PROTECTION CLASS | IP40 | IP40 |

*Installation without brackets

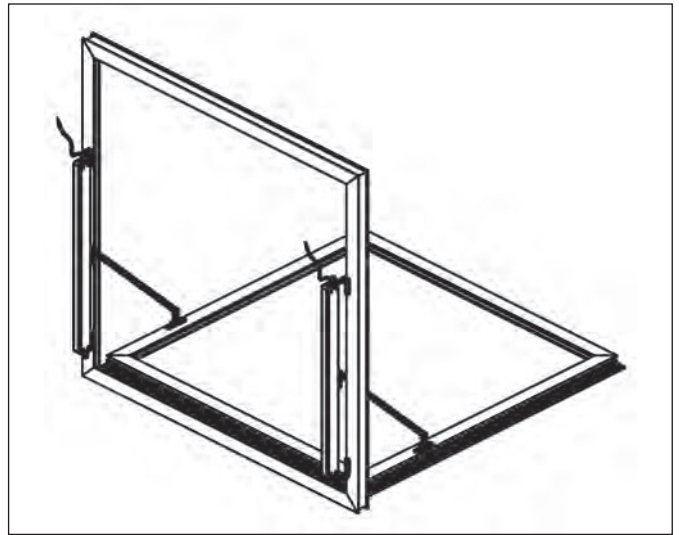
Part No. for AC VERSIONS (100 Vac - 240 Vac)

| MODEL | STROKE | SYNCHRO | FEEDBACK | CABLE | COLOUR | PART No. |
|-------------------|--------|---------|----------|---|---|----------------------------|
| QUASAR AC | 500 mm | - | - | 1,5 m 3 wires + earth | GREY RAL 9006 BLACK RAL 9005 WHITE RAL 9010 | 40837Z 40838A 40839B |
| SYNCHRO QUASAR AC | 500 mm | Yes | - | 2 x 3 m cables: 3 wires + earth 5 wires | GREY RAL 9006 BLACK RAL 9005 WHITE RAL 9010 | 41316I 41317J 41318K |

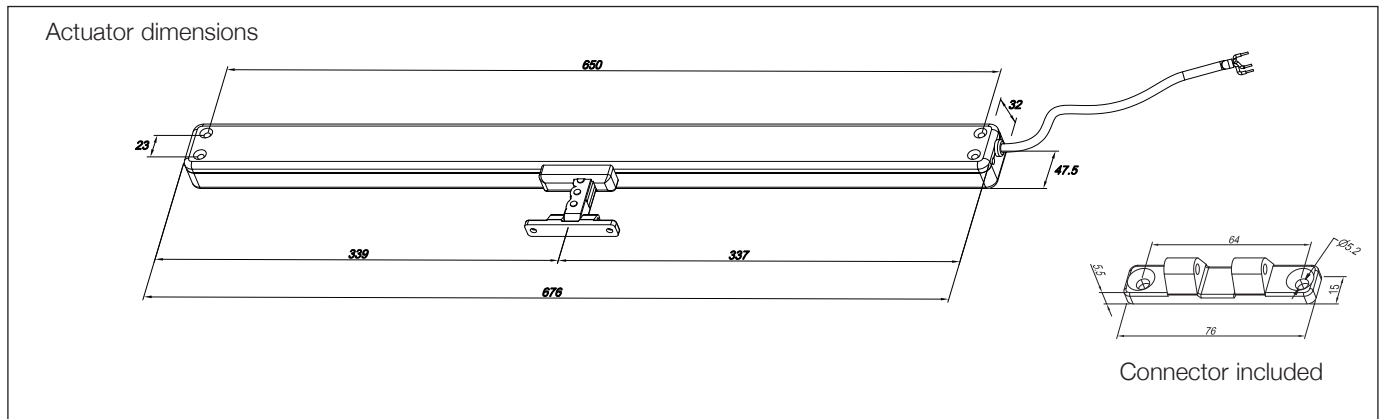
Part No. for DC VERSIONS (24 Vdc \pm 10%)

| MODEL | STROKE | SYNCHRO | FEEDBACK | CABLE | COLOUR | PART No. |
|------------------------------|--------|---------|------------------------------|---------------------------------------|---|----------------------------|
| QUASAR DC | 500 mm | - | - | 1,5 m 2 wires | GREY RAL 9006 BLACK RAL 9005 WHITE RAL 9010 | 40840C 40841D 40842E |
| SYNCHRO QUASAR DC | 500 mm | Yes | - | 3 m 5 wires | GREY RAL 9006 BLACK RAL 9005 WHITE RAL 9010 | 41119Z 41120A 41121B |
| QUASAR DC F-SIGNAL | 500 mm | - | free potential open/close | 1,5 m 5 wires | GREY RAL 9006 BLACK RAL 9005 WHITE RAL 9010 | 41327T 41328U 41329V |
| SYNCHRO QUASAR DC F-SIGNAL | 500 mm | Yes | free potential open/close | 2 x 3 m cables: 5 wires 3 wires | GREY RAL 9006 BLACK RAL 9005 WHITE RAL 9010 | 41319L 41320M 41321N |
| SYNCHRO QUASAR DC DRAWBRIDGE | 500 mm | Yes | - | 3 m 5 wires | GREY RAL 9006 BLACK RAL 9005 WHITE RAL 9010 | 41928J 41929K 41930L |

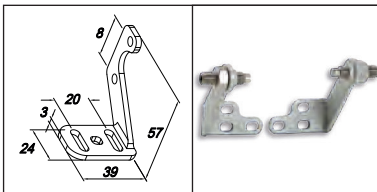
NOTE: brackets not included - to be ordered separately



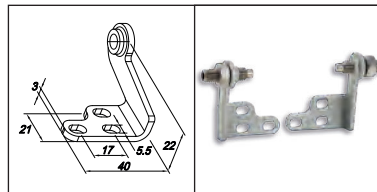
SYNCHRO QUASAR DC DRAWBRIDGE
 Installation on bottom hinged window, opening outwards 90°:
 The actuators are equipped with a special guide for the chain.
 Contact our Technical Department for the installation limits (size and weight of window) and brackets for actuator installation (depending on type of profile)



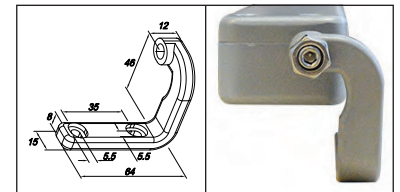
Accessories



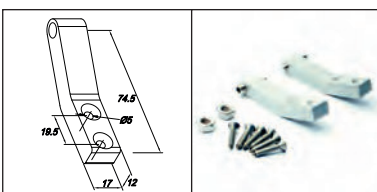
Long slim bracket kit
 GREY RAL 9006 part no. 41898F
 BLACK RAL 9005 part no. 41899G
 WHITE RAL 9010 part no. 41900H



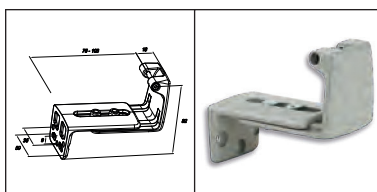
Short slim bracket kit
 GREY RAL 9006 part no. 41901I
 BLACK RAL 9005 part no. 41902J
 WHITE RAL 9010 part no. 41903K



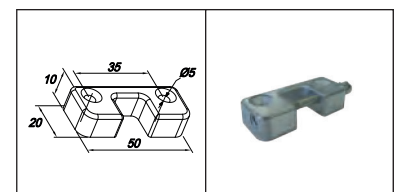
Die-cast bracket kit
 GREY RAL 9006 part no. 40843F
 BLACK RAL 9005 part no. 40844G
 WHITE RAL 9010 part no. 40845H



Long bracket kit
 GREY RAL 9006 part no. 40941H
 BLACK RAL 9005 part no. 40942I
 WHITE RAL 9010 part no. 40943J



Aluminum adjustable "Z" bracket for bottom hinged windows
 GREY part no. 41709Z
 BLACK part no. 41710A
 WHITE part no. 41711B



Flat connector (alternative)
 GREY part no. 42085K

Installation examples

Outward



Top hinged windows



Top hinged windows, two Synchro actuators



Side hinged windows



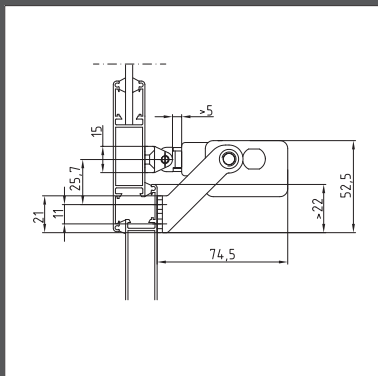
Roof windows



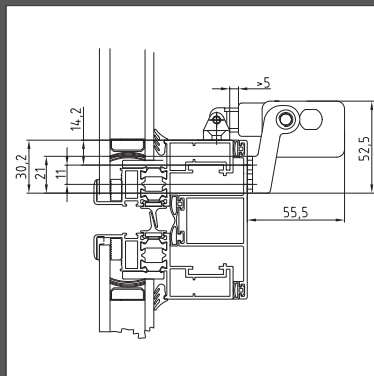
Parallel windows



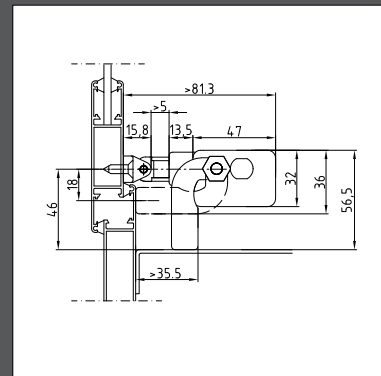
Drawbridge windows



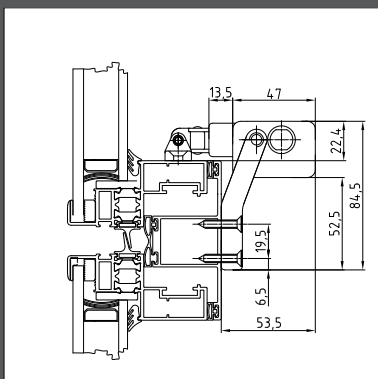
Front installation with long slim bracket



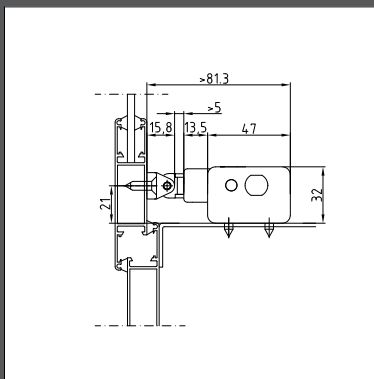
Concealed vent with short slim bracket



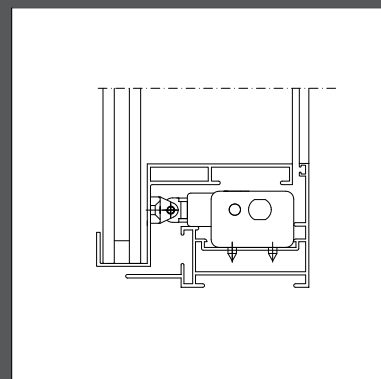
With or without windowsill, with die-cast bracket



With long bracket kit



On windows with windowsill



Inside a curtain wall frame

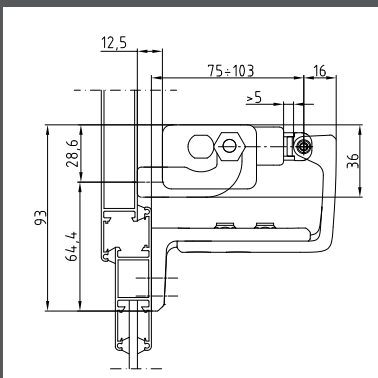
Inward



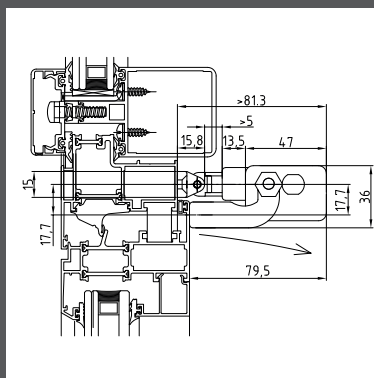
Bottom hinged windows



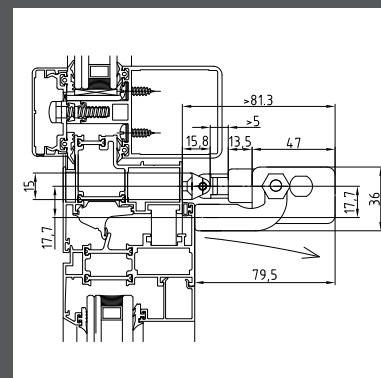
Side hinged windows



On the frame with adjustable "Z" bracket



On the vent with die-cast bracket



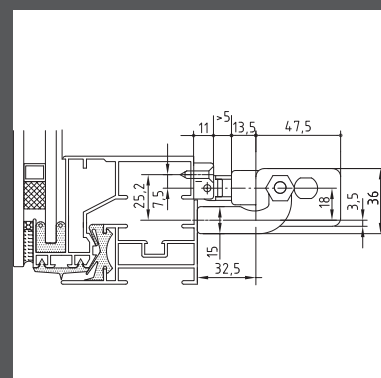
On the vent with long bracket kit

⚠ The instructions for a safe installation are included in the section "SECURITY WARNINGS"

SPECIFICATION PROSPECTS

Electric chain actuator Ultraflex Control Systems named Quasar with chain in double stainless steel links. Voltage supply: from 100 to 240 Vac or 24 Vdc – Electronic limit stop; electronic stop in the intermediate positions in case of overload. Casing in painted die-cast aluminium with very small section (47x32 mm).

Electric chain actuator Ultraflex Control Systems named Synchro-Quasar with chain in double stainless steel links. Suitable for mounting more than one actuators (max 4 actuators) on the same vent: integrated speed synchronization Voltage supply: from 100 to 240 Vac or 24 Vdc – Electronic limit stop; speed control; electronic stop in the intermediate positions in case of overload. Casing in painted die-cast aluminium with very small section (47x32 mm). When "free potential open/close feedback" is required, indicate suffix "F-SIGNAL"



For coplanar vents with flat connectors